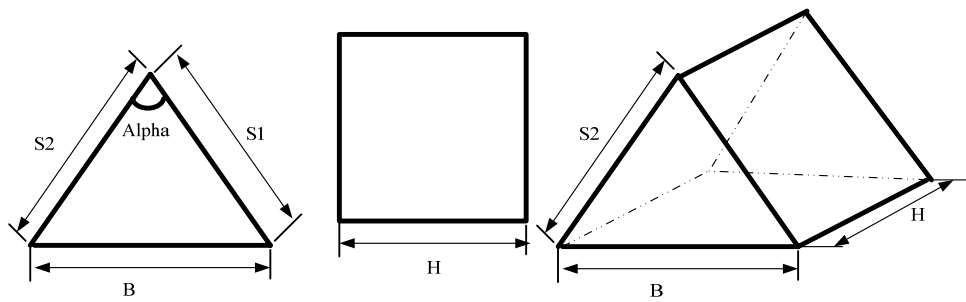


CaF2 Prism (Isosceles triangle):



1. $\alpha=69^\circ$, $S_1=S_2=25\text{mm}$, $H=25\text{mm}$ (Height of prism)

2. $\alpha=69^\circ$, $S_1=S_2=30\text{mm}$, $H=25\text{mm}$ (Height of prism)

Surface Flatness: $\leq \lambda/4$ or $\leq \lambda/10$ at 632.8 nm over the clear aperture Two sides are polished.