

Tourmaline Fiber Laser

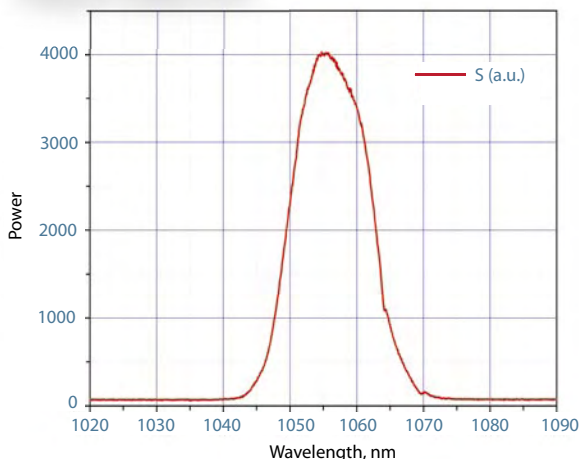
Yb-Doped Femtosecond Fiber Laser



Average power	20 mW
Wavelength	1040-1064 nm
Repetition rate	60-80 MHz
Pulse duration	100 fs
Output pulse energy	0.25 nJ
Output power	20 mW

Yb-doped femtosecond fiber Tourmaline is a new member of Del Mar Photonics fiber lasers family. Femtosecond pulsed lasers are used in a growing number of applications in physics and the life sciences including material processing, multi-photon imaging, pump-probe spectroscopy and parametric generation. As the number of applications for ultrafast lasers grows so does the need for small and reliable, low noise femtosecond pulse sources. All solid-state fiber lasers based on Er-doped and Yb-doped fibers are an ideal solution. Fiber lasers do not require the expensive pump lasers that traditional solid-state femtosecond lasers do and are assembled from established telecommunication components, further reducing the system cost. Using standard fiber components, fiber based femtosecond lasers offer robust and stable operation without the need for constant realignment.

Output spectrum



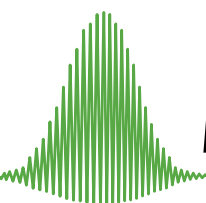
Excellent source for:

- Amplifier systems seeding
- Terahertz generation and detection
- Multi-photon microscopy
- Frequency metrology
- Ultrafast spectroscopy
- Semiconductor device characterization

Femtosecond Fiber Laser Advantages

- Turnkey operation
- Small footprint
- Affordable cost
- Stable and compact
- Great teaching tool

DEL

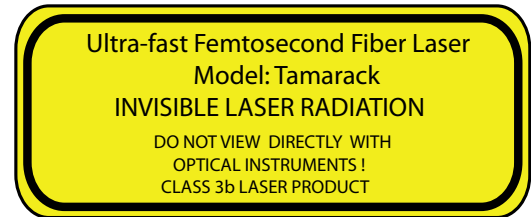
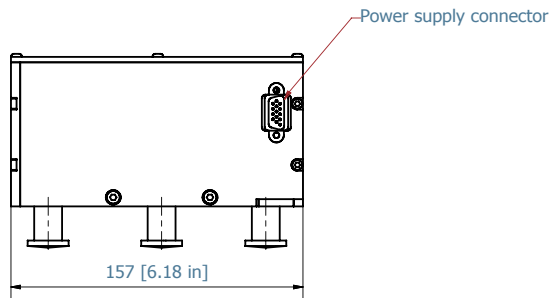
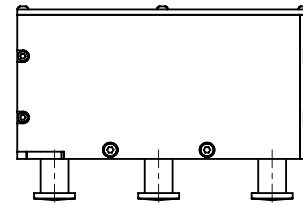
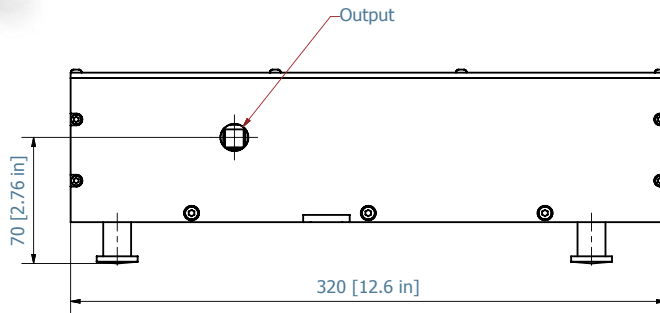


MAR PHOTONICS

www.dmphotonics.com



Dimensions



Where Del Mar Photonics product's names come from?

Del Mar means "by the sea", and Photonics is all about optical waves. So we decided to choose terms popular in surfing and sailing communities. Our femtosecond lasers, amplifiers and system are named after popular surf breaks around the world, and many other products named after sailing and nautical terms.



Tourmaline Surfing Park is a favorite haunt of surfers and sailboarders alike. This designated surfing park, located between north Pacific Beach and Bird Rock (an area dubbed "Baja La Jolla"), is not for swimmers. In fact, swimming is not permitted. Surfers thrive on the year-round reef break, and skin divers enjoy the underwater scenery. The waves at the far right end offer a great place for beginners, that is if you can handle the locals and their "turf" issues. Tradition is strong here. Some of these guys have been gathering early on weekend mornings for more than 30 years to drink coffee and talk about boards and waves.

DEL MAR PHOTONICS

4119 Twilight Ridge, San Diego, CA 92130, USA Tel: (858) 876-3133 Fax: (858) 630-2376
E-mail: sales@dmp Photonics.com URL: www.dmp Photonics.com