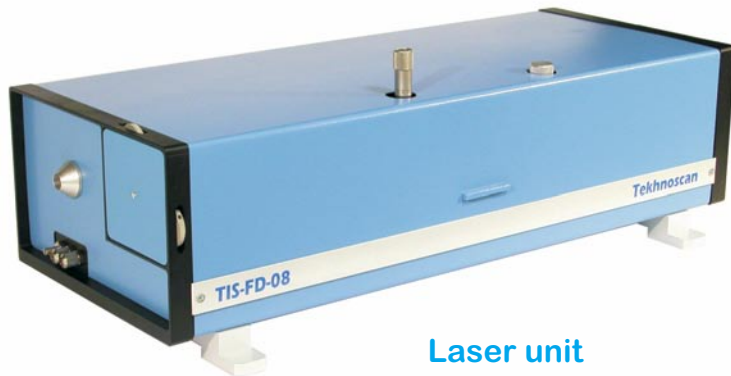
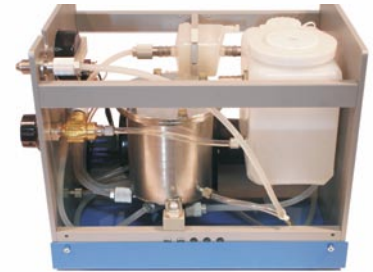


Combined CW Ti:Sapphire/Dye laser with intracavity frequency doubling, model "TIS/DYE-FD-08"



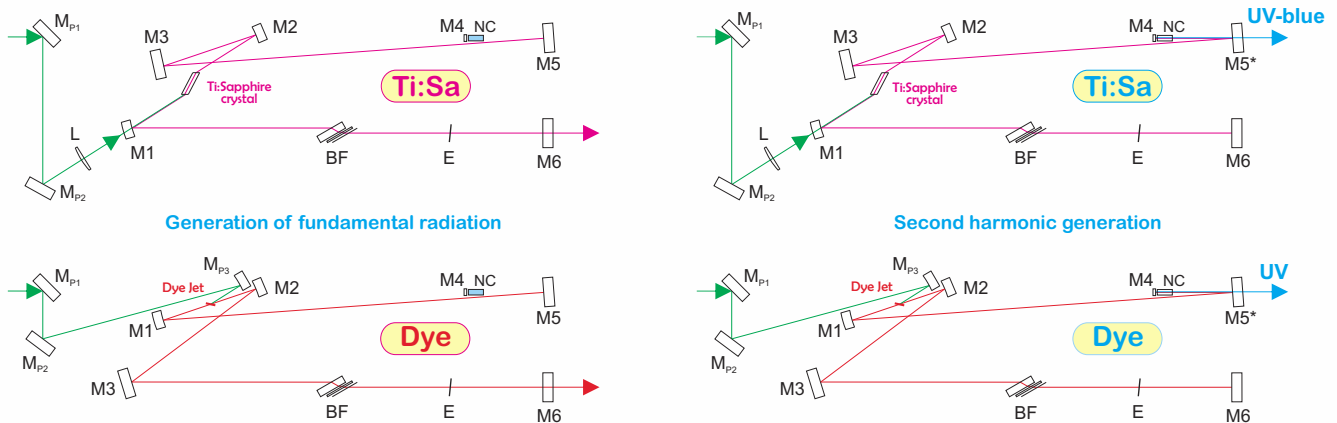
Laser unit



Dye circulation unit

CW narrow-band combined Ti:Sapphire/Dye laser with intra-cavity frequency doubling, model TIS/DYE-FD-08, presents the optimal cost-efficient solution for a source of radiation tuneable within a wide range of wavelengths important for spectroscopy of semiconductor materials and other tasks. The output radiation wavelength range of the laser is 570-950 nm (570-700nm/Dye and 700-950nm/Ti:Sa) for the fundamental harmonics and 285-425 nm for the second-harmonics, the radiation line width being 0.05-0.01 nm depending on the installed selective elements.

In the combined model TIS/DYE-FD-08 the advantages of two tuneable lasers are joined — the Ti:Sapphire and Dye, with the possibility of intra-cavity second-harmonic generation in each of them. Output power at the fundamental wavelength reaches 1.5 W with a 10-W pump, the output power of the second harmonics exceeds 50 mW when pumped with 5 W and is more than 100 mW when pumped with 10 W.



Optical layouts of the CW narrowband combined Ti:Sapphire/Dye laser, model TIS/DYE-FD-08:
M_p - pump mirrors, L - lens, M1, M2, M5* - spherical mirrors, M3, M4, M5, M6 - flat mirrors,
BF - 3-plate birefringent filter, NC - nonlinear crystal, E - thin etalon.

Tekhnoscan JS Company

Sirenevaia 37, k. 141, Novosibirsk, 630058, Russia
Tel./fax: +7-(383)-339-72-24, tel.: +7-(383)-214-00-09
e-mail: service@tekhnoscan.com
www.tekhnoscan.com

Representative in USA:

Del Mar Photonics, Inc.
4119 Twilight Ridge, San Diego, CA 92130
Tel: (858) 876-3133, fax: (858) 630-2376
E-mail: sales@dmphotonics.com